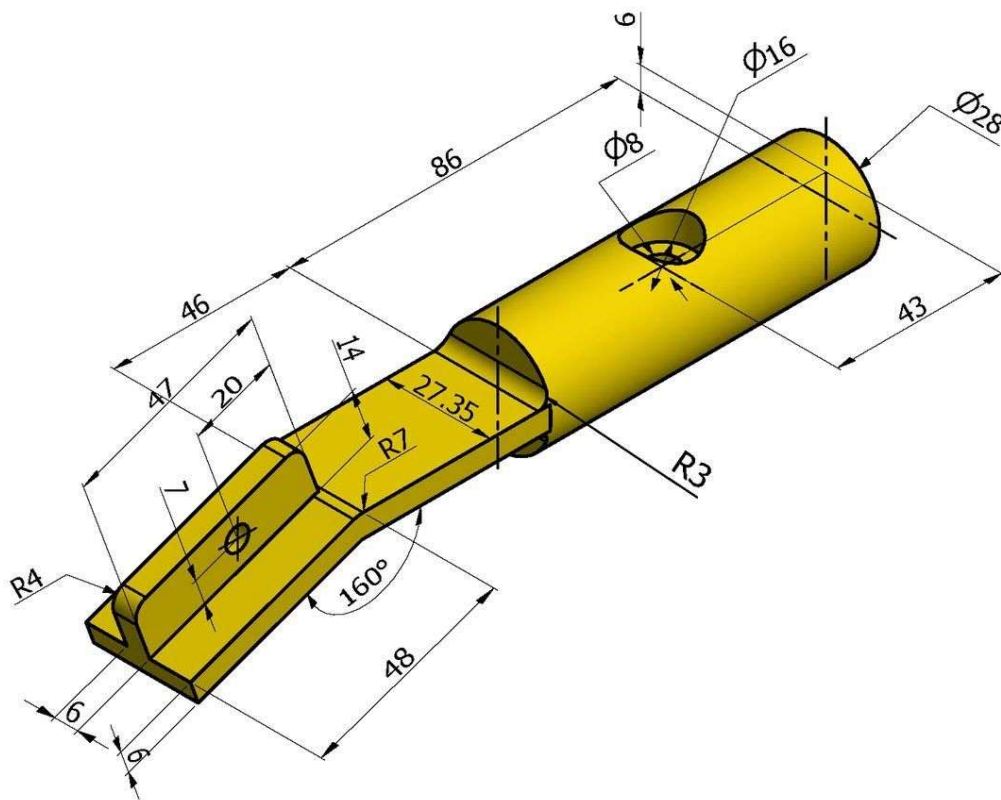


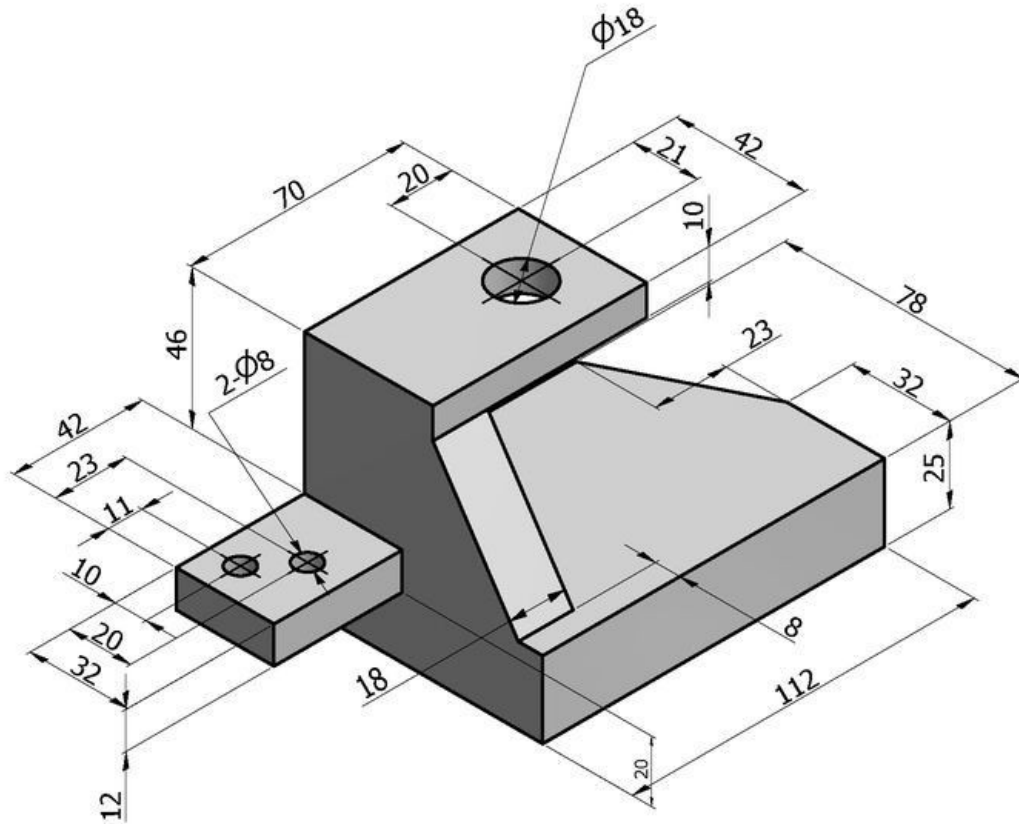
	Title	Date	Approve
	Modeling Practice Drawings 105	Design	
	Check		

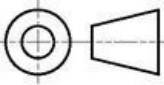


	Title	Date	Approve
	Modeling Practice Drawings 120	Design	
	Check		

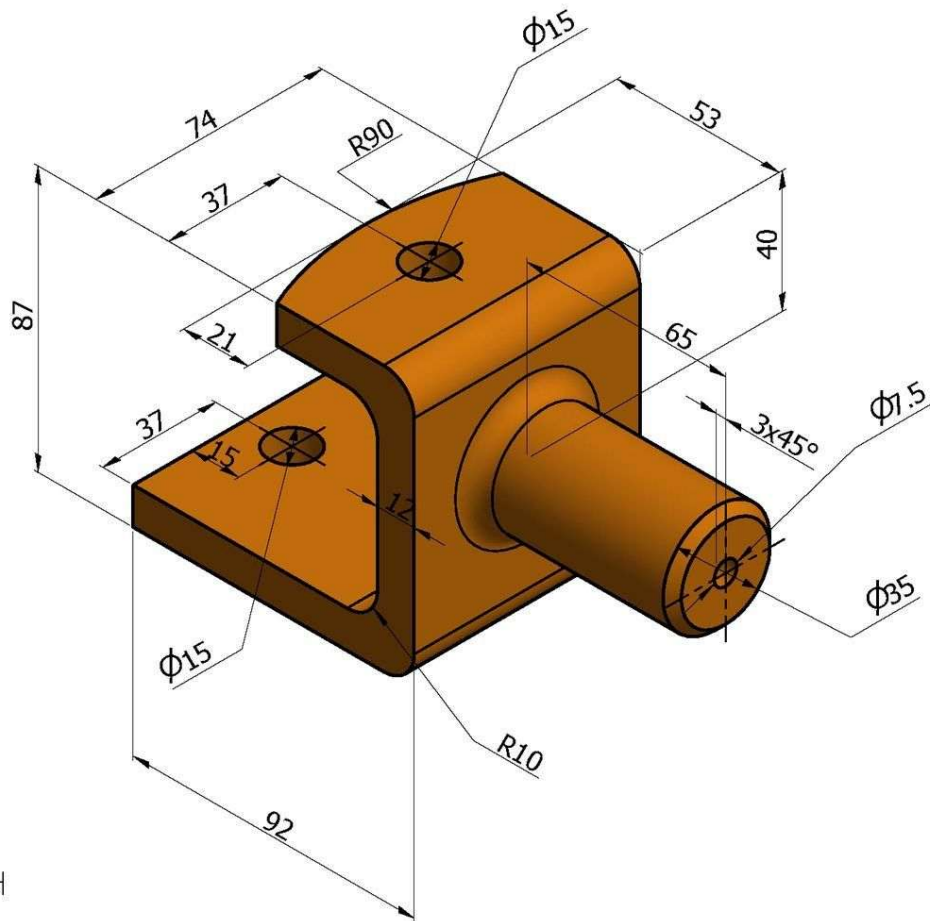






	Title	Date	Approve
	Modeling Practice Drawings 114	Design	
	Check		

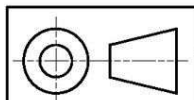




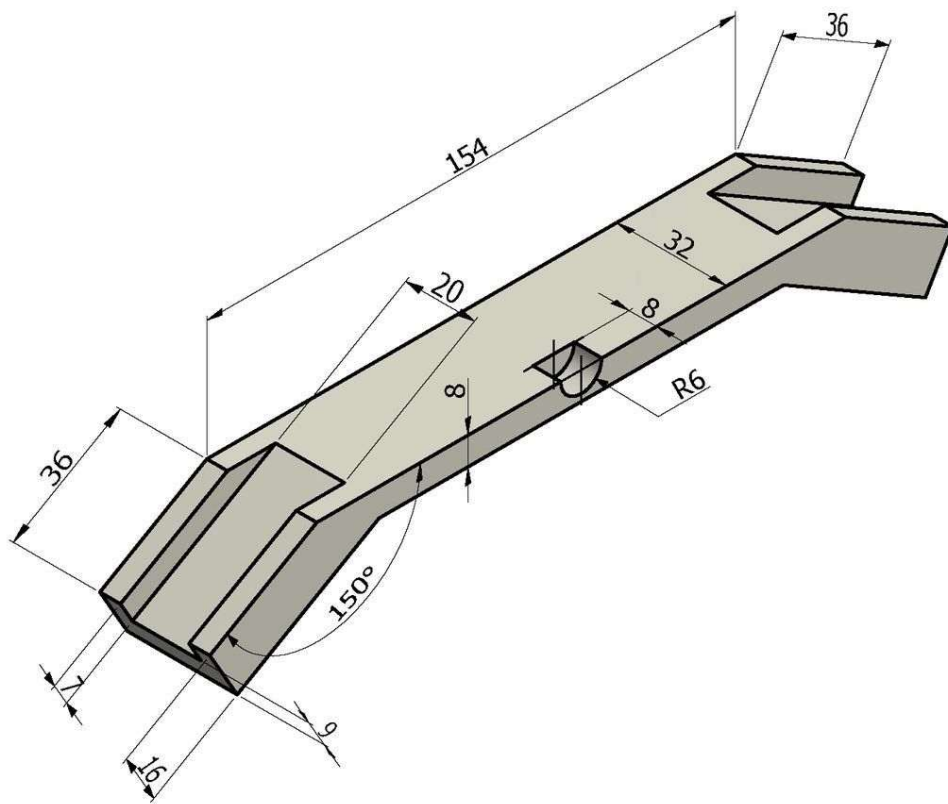
주 서

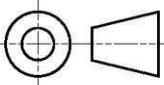
1.

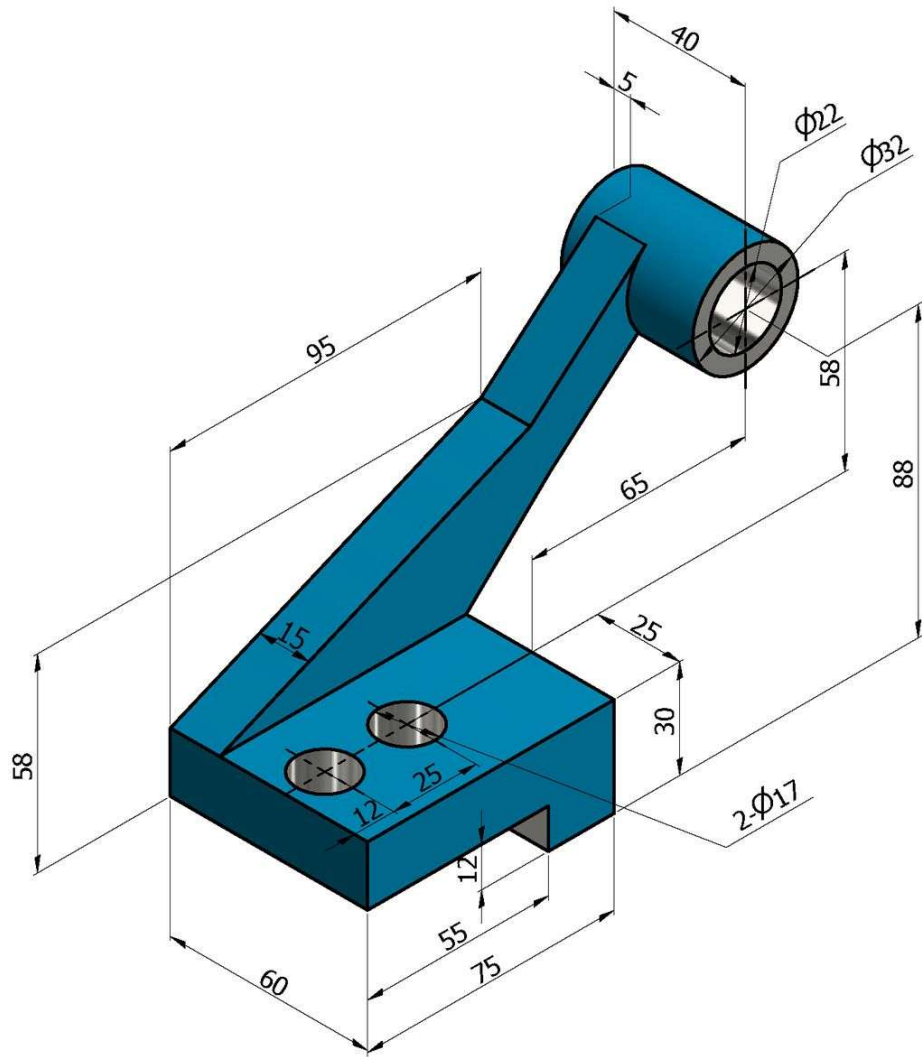
R6



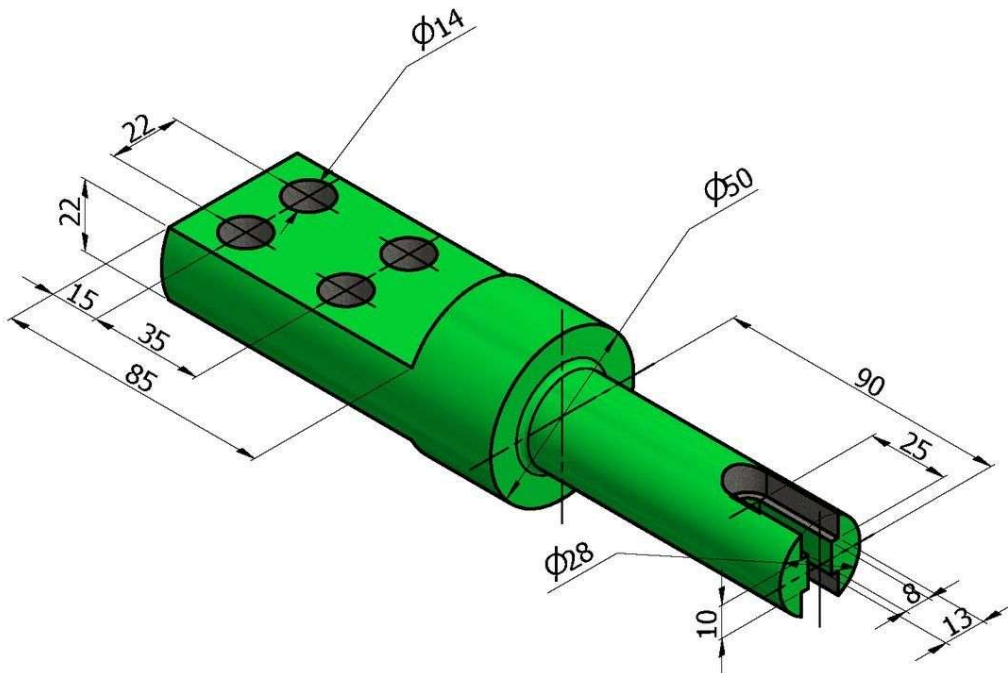
Title	Date	Approve
Modeling Practice Drawings 125	Design	
	Check	



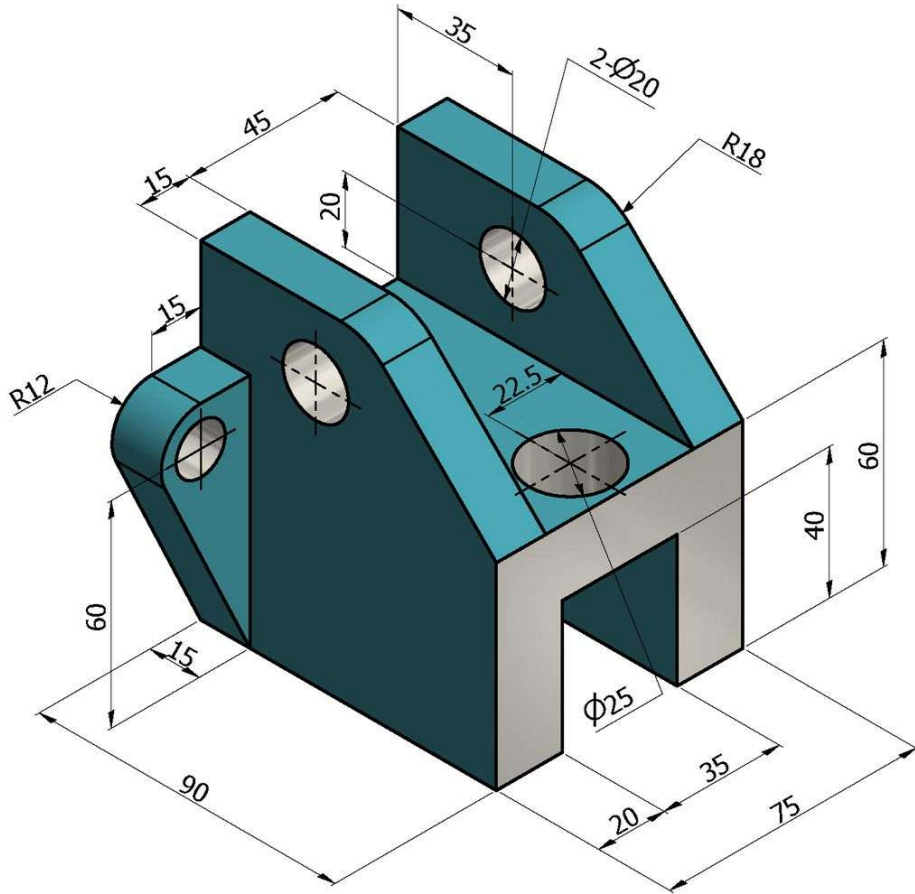
	Title	Date	Approve
	Modeling Practice Drawings 119	Design	
	Check		



	Title	Date	Approve
	Modeling Practice Drawings 146	Design	
	Check		

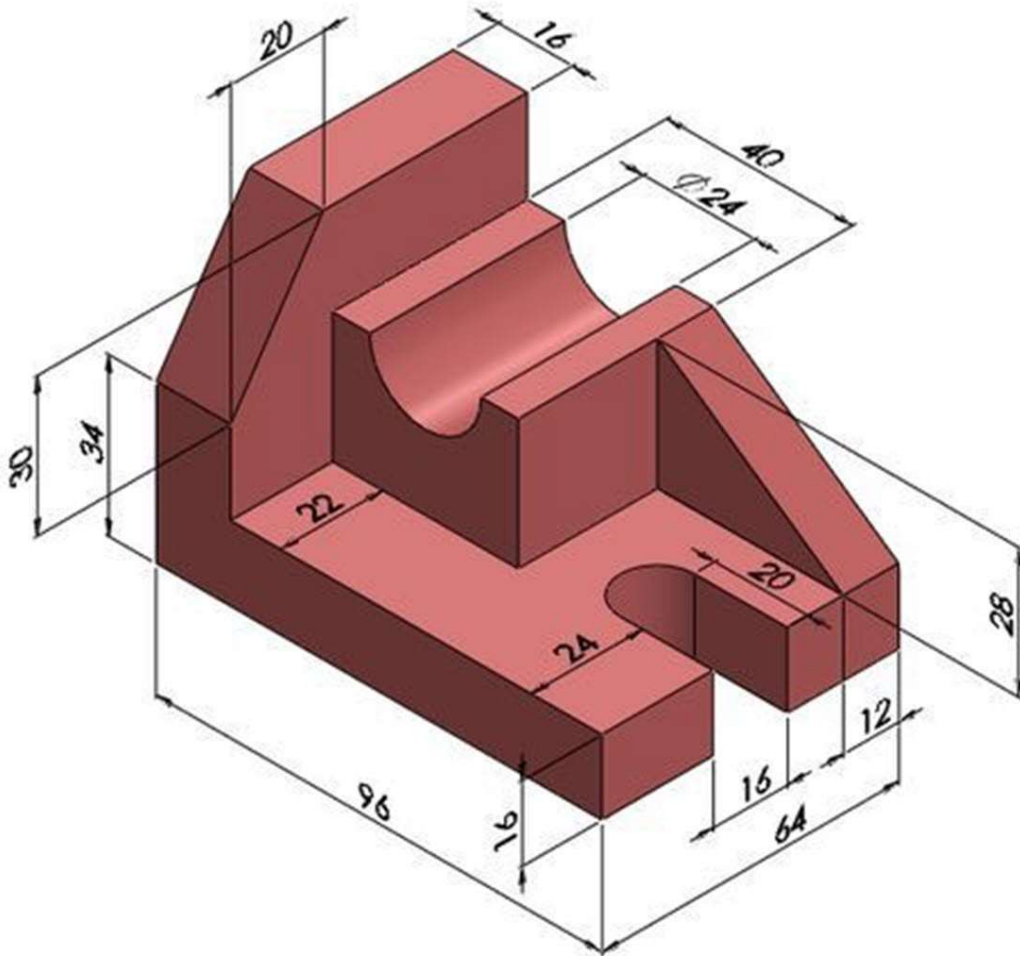


	Title	Date	Approve
	Modeling Practice Drawings 130	Design	
	Check		



	Title	Date	Approve
	Modeling Practice Drawings 138	Design	
	Check		





	Title	Date	Approve
	Modeling Practice Drawings 76	Design	
	Check		